



VL1000™ ERS

automated ellipsoidal
reflector spotlight

The VARI*LITE® VL1000™ ERS luminaire combines the functionality of one of the most popular conventional lighting tools — the ellipsoidal reflector spotlight — with the versatility of an automated luminaire.

Automated functions include CYM color mixing, rotating gobos, variable diffusion and a zoom lens that ranges from 19° to 36° for normal imaging and a super zoom function that ranges to 70°.

Tungsten versions VL1000TI and VL1000TS deliver 10,000 lumens with the consistent color temperature of a tungsten source. The VL1000TS model includes an automated, four-blade shutter mechanism that provides control of all shutter functions popular in conventional ellipsoidal reflector spotlights. Model VL1000TI includes a beam size iris.

Tungsten

Programmable Functions

- Zoom Optics:** Continuously variable field angle in imaging range from 19° to 36°; super zoom angles to 70° is programmable over a timed range of 2 seconds to 20 minutes.
- Color Mixing:** A fully cross-fading CYM color system is included.
- Diffusion:** Field or gobo can be continuously and smoothly diffused to wash.
- Rotating Gobo Wheel:** Six-position rotating gobo wheel with five rotatable, indexable gobo positions and one open position.
- Shutter (Framing Models):** Four-blade system can frame and crop beam field and gobos. Each individual shutter is capable of translating to beam center while also rotating $\pm 35^\circ$. Entire shutter rotates $\pm 45^\circ$.
- Beam Size Control (Iris Models):** In addition to the zoom optics, a mechanical iris provides continuous beam size control for both rapid changes and smooth timed beam angle changes.
- Pan & Tilt:** Smooth, timed continuous motion using stepper motors with encoder correction. Pan range is 540°; tilt is 270° Resolution is 0.1°. Unit will calibrate to support close hangs (yoke-to-yoke).

Description

- Source:** 1000 W Tungsten Halogen Lamp Color Temp: 3200K
Output: 10,000 Lumens
Rated Life: 300 Hours
- Power Requirements:** Depending on voltage, 1 to 2 A are supplied to the Tungsten models through standard AC distribution.
- Reflector:** Precision glass reflector with dichroic cold mirror coating.
- Operational Temperature:** -20° to 122°F (-29° to 50°C).
- Cooling:** Free convection cooling when hung. Floor mounted units and extreme ambient temperatures activate a low-noise, forced-air cooling system. Completely compatible with a wide variety of DMX512 consoles.
- Control:** The VL1000 ERS luminaire can be mounted and operated in any orientation.
- Mounting Position:** Full range of motion on 26.5" centers. Hangs as close as 20.0".
- Spacing:** 70 lbs (32 kg).
- Weight:**

Accessories

- 71.2554.0100 1000 Watt Tungsten Lamp, 100 VAC
- 71.2554.0115 1000 Watt Tungsten Lamp, 115 VAC
- 71.2552.0230 1000 Watt Tungsten Lamp, 230 VAC
- 55.6840.0001 Truss Hook, Mega-Clamp, Round and Square
- 55.6841.0001 Truss Hook, Mega-Claw for 2" Round Tube
- 41.6010.XXXX Gobo, VL1000 (Specify pattern from catalog to complete P/N)



VARI*LITE®
Express yourself.

VL1000™ ERS

automated ellipsoidal
reflector spotlight

Tungsten

Photometric Data*

FIELD ANGLE (Degrees)	FIELD DIAMETER TN ¹	BEAM ANGLE (Degrees)	BEAM DIAMETER TN ¹	CANDELA (cd)
VL1000 ERS — 1000W Tungsten Halogen (100V Lamp)				
19.5	.344	14.5	.254	151,300
27.0	.480	20.0	.353	85,700
37.0	.669	26.5	.471	44,400
70.0 (Super Zoom)	1.40	30.0	.536	21,400
VL1000 ERS — 1000W Tungsten Halogen (115V Lamp)				
19.5	.344	14.5	.254	146,200
27.0	.480	20.0	.353	82,000
37.0	.669	27.0	.480	42,700
70.0 (Super Zoom)	1.40	31.0	.555	20,700
VL1000 ERS — 1000W Tungsten Halogen (230V Lamp)				
19.5	.344	14.0	.246	127,400
27.0	.480	20.0	.353	70,200
37.0	.669	26.5	.471	36,300
70.0 (Super Zoom)	1.40	30.5	.545	17,580

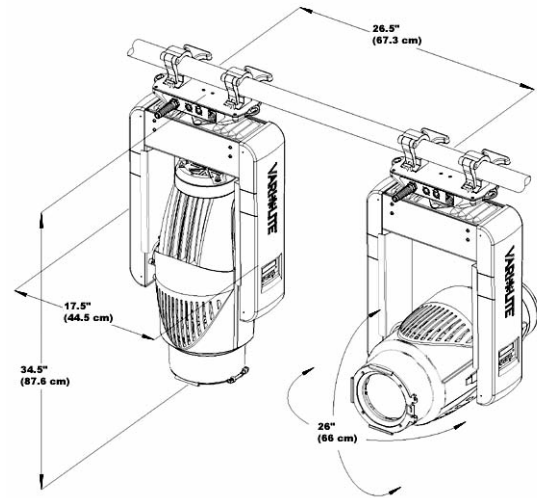
* All data taken with seasoned light source at 20 hours of life.

¹ Multiply distance by Tn to determine coverage.

To calculate center beam illuminance (I), at a specific distance (D): $I = \frac{cd}{D^2}$
 — if (D) is in feet, (I) is in foot candles
 — if (D) is in meters, (I) is in lux

Models

MODEL	PART NUMBER	FRAMING SHUTTERS	IRIS
VL 1000 TS	20.9663.0001.02	Yes	No
VL 1000 TI	20.9663.0001.03	No	Yes



Specifications

The unit is an integrally designed, remote-controlled, automated ellipsoidal reflector spot luminaire. An integral enclosure/pan tube supports the luminaire with provisions for two hooks. The pan tube serves as an interconnection point for power and data. Low noise fans provide forced-air cooling for internal components during extreme operating conditions. The rear cap provides three-point lamp adjustment and easy access to the lamp for replacement.

A dimmed lamp power cable, an AC input connector, and two, five-pin DMX512 compatible connectors (in and through) are provided. The unit can be controlled by a wide variety of DMX512 consoles.

Each unit is equipped with a high-speed processor providing diagnostic and self-calibration functions as well as internal test routines and software update capabilities. A yoke arm mounted panel and display provide the user interface.

The unit contains independent stepper motors to provide movement of the head through 540° in the horizontal plane (pan) and 270° in the vertical plane (tilt). The luminaire calibrates to minimize hanging distances.

A zooming multi-element optical system provides continuous focus of gobo images for field angles from 19° to 36°. A super zoom function provides field angles to 70°. Independent control of edge is provided.

A CYM color mixing system is provided for a broad range of user color selection. A variable diffusion stage is also included. This stage provides controlled reduction of the contrast ratio of imagery and beam edges. The effect is a continuous transition from spotlight to floodlight.

A six-position gobo wheel with five rotatable, indexable gobo positions and one open position is included. Gobos are easily installed and removed. (A wide selection of gobos is available from Vari-Lite.)

Framing shutter models contain four shutter blades that translate radially across the beam. Each individual shutter is capable of translating to beam center while also rotating ±35°. The framing shutter mechanism rotates as a unit ±45°.

Iris models contain a beam size iris suitable for producing narrow beams and cropping gobos. The unit is ETL and ETLc certified and CE marked. Exterior finish is black. Custom colors may be special ordered.

Vari-Lite

10911 Petal Street

Dallas, TX 75238

1.877.VARILITE

fax: 214.647.8038

www.vari-lite.com



VARI*Lite
Express yourself.

©2008 Philips Group. All rights reserved. Printed in the U.S.A. VARI*Lite® is a trademark owned by Philips Group and is registered in the United States and other countries. VL1000 and the Vari-Lite Asterisk are also trademarks owned by Philips Group. Certain products listed in this document may be protected by applicable patents and patents pending. Philips will aggressively defend all of its intellectual property. We reserve the right to change details of design, materials and finishes. Specifications are subject to change without notice. VARI*Lite® automated lighting equipment is made in the U.S.A.

